

INSTALLATION INSTRUCTIONS

PLEASE READ ALL INSTRUCTIONS BEFORE PROCEEDING

These valves are for use on fuel tanks to comply with the new CARB and EPA standards and meet the requirements of U.S.C.G. Safety Standards (July 31, 2011) for 40 CFR Parts 9, 60, 80 et al. (Control of Diurnal Emissions From Nonroad Spark-Ignition Engines and Equipment).

Note: Installer-supplied mating components must be CARB, EPA and ABYC compliant. Mounting surface must be flat and rigid and not subject to extreme tank expansion distortion.

NOTE: These valves are designed for diurnal venting through an EPA/CARB certified canister or pressure relief valve.

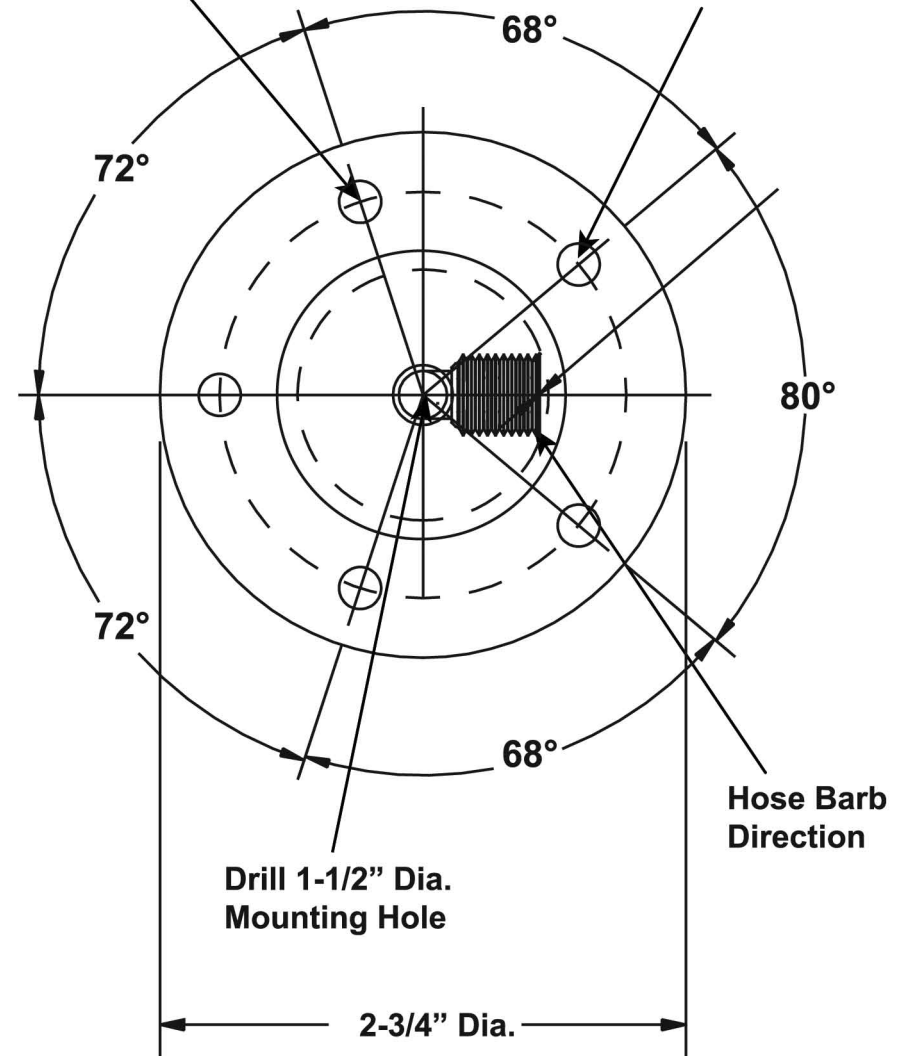
Tank Vent Valves (TVV) Series 0588F

1. These valves are designed to mount on aluminum or plastic tank surfaces.
2. Select your mounting location. Cut out mounting template attached. Orient the template barb to the desired installation direction. The template can first be utilized to form an installer-supplied mounting gasket.
3. Then attach the template to the mounting surface and drill 1-1/2" diameter hole for the valve.
4. Mark and drill mounting screw holes for #8 mounting screws. Place the gasket (customer supplied) onto the mounting surface. Make sure to orient the hose barb in the proper direction to attach the vent line.
5. Attach 5/16" vent hose onto hose barb and tighten using a hose clamp in accordance with ABYC Fuel System Vent Hose Clamping Standards (H24 Table 3).



Fig. 0588F00

Note: SAE bolt circle "not" equally spaced **Drill for #8 Screws (5 Places) on a 2-1/8" Bolt Circle**



Note: Installer must orient the barb in the desired direction before drilling holes

*The above referenced standards can be obtained from:

- | | |
|---|---|
| (1). American Boat & Yacht Council, Inc.
613 Third Street, Suite 10
Annapolis, MD 21403 | (2) U.S. Coast Guard
Washington, D.C. 20593
(or your local C.G. office) |
|---|---|

- | |
|--|
| (3). E.P.A.
401 "M" Street S.W.
Washington, D.C. 20460 |
|--|